

RAVAS-2100L

Pallet truck scale with multirange graduation



BENEFITS

- High accuracy: 200g increments
- Exchangeable battery module
- Automatic switch off function
- Pallet truck with quicklift pump
- For check weighing, batching and filling

Top quality
Made in Europe



FUNCTIONS

- Automatic and manual zero correction
- Gross/net weighing
- Automatic tare over the full scale. Pre-set tare maximum first range (200 kg)
- Totalling with sequence number
- Error messages in display
- Automatic switch-off after 30 minutes of non-use
- Low battery warning in display

STANDARD SPECIFICATIONS

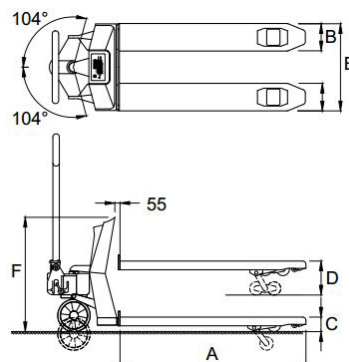
- Weighing capacity 2,000 kg
- Graduation multirange:
0 - 200 kg: graduation 0.2 kg
200 - 500 kg: graduation 0.5 kg
500 - 2,000 kg: graduation 1 kg
- Max. tolerance 0.1% of the load lifted
- Display LCD, digit height 18 mm
- Keypad 3 function keys, on/off key
- Protection class load cells IP67, indicator IP65
- Battery 12Vdc/1.2Ah, exchangeable; battery charger included
- Battery life 35 hours, low battery indication in display
- Charger 230V/12Vdc - 300 mA
- Charging time approximately 6 hours
- Steering wheels rubber
- Loading wheels polyurethane, tandem
- Pump quick lift
- Own weight 120 kg
- Colour red (RAL 3000), epoxy painted

For approved versions, class OIML III: European approval no. T2782, switch-off of display when tilting more than 2°.

Graduation: multirange 0.5/1 kg, or one of the following fixed graduations:

- 1,000 divisions : 1.0/1,000 kg or 2.0/2,000 kg
- 2,000 divisions : 0.5/1,000 kg or 1.0/2,000 kg

DIMENSIONS IN MM



A	Fork length	1150
B	Fork width	180
C	Minimum fork height	90
	Space underneath fork	22
D	Maximum fork height	205
	Lifting height	120
E	Width over forks	555
F	Height to top indicator	800
	Tolerance +/-	3 mm



• ISO 9001
• ISO 14001

OPTIONS*

- Extra exchangeable battery pack
- Built-in thermal printer
- Bluetooth or WLAN output
- Legal for trade version, OIML III

RAVAS Europe B.V.

P.O. Box 2023, NL-5300 CA Zaltbommel, The Netherlands
T. +31 (0)418 51 52 20, F. +31 (0)418 51 53 20
backoffice@ravas.com, www.ravas.com

* The use of options may change related specifications, changes reserved, rev.20171009

RAVAS