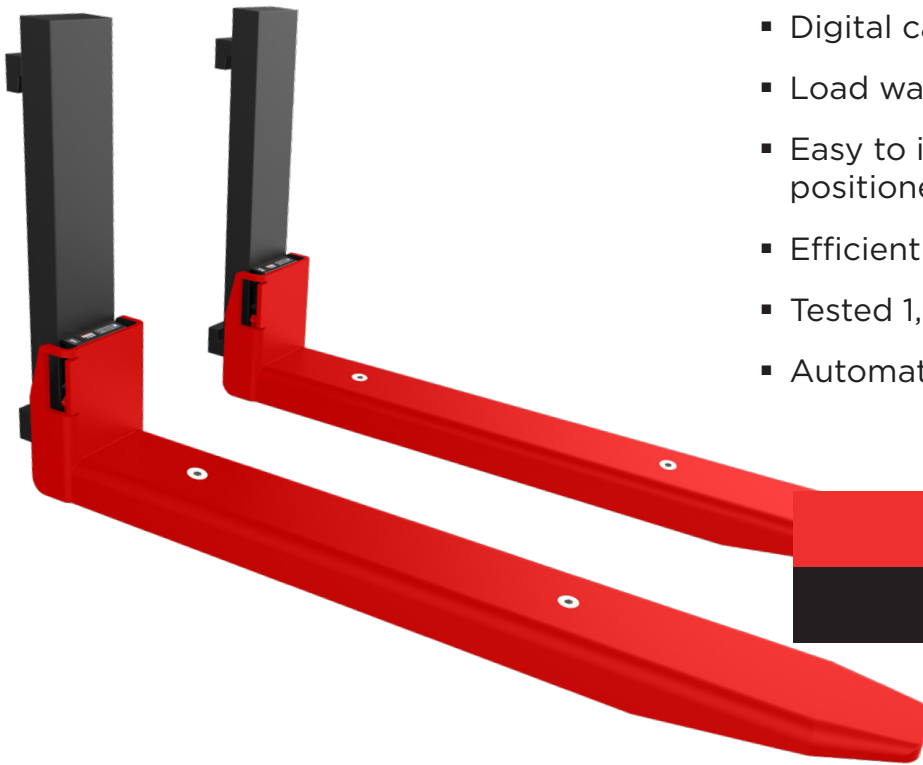


iFORKS-32

Completely wireless fork scale

BENEFITS

- Installation within 5 minutes
- Completely wireless through bluetooth: no cabling
- Fork power supply by **Li-ion** compact battery packs
- Digital calibration
- Load warning for tip and side loading
- Easy to install in combination with fork positioners
- Efficient power management
- Tested 1,000,000 cycles at 125% of capacity
- Automatic compensation for mast tilt angle



Top quality
Plug & weigh

Step
into
the
future



Lithium-ion

FUNCTIONS

- Automatic and manual zero correction
- Gross/net weighing
- Totaling with sequence number
- ID-code entry (5 digits)
- Integrated level correction in the forks
- Internal clock for date and time
- On board: RS232 port connection for printer
Bluetooth 4.0 for RAVAS WeightsApp
- Optional: WiFi or Bluetooth module for data communication
- Tip loading error message with logging
- Sleep mode for the forks with automatic start up
- Overload protection 200% on mechanical construction

STANDARD SPECIFICATIONS

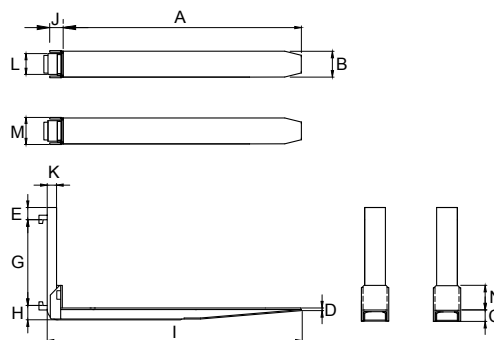
- Capacity: 2.500 kg; 3.000kg; 5.000 kg*
- Graduation multirange: 1-2 kg at 2.500 kg
1-2 kg at 3.000 kg
2-5 kg at 5.000 kg
- System tolerance: 0.1% of the load lifted
- Display: dual color (green / red), digit height 22mm, with backlight, 5 digits
- Red display: during errors when tip or side loading (weight on one fork)
- Signal transfer: Bluetooth 4.0
- Controls: 4 function keys, on/off key
- Protection class: IP65
- Dimensions housing: 60 x 77 x 182 mm (excl. bracket)

* (in combination with rotators: capacity reduction of 15%)

POWER SUPPLY

- Each fork has its own rechargeable Li-ion 3.7V / 5.2Ah battery pack. Autonomy 75 hours continuous use. Charger station included.
- Indicator powered by 4 AA-batteries. Autonomy ca. 50 hours continuous use. Power supply from truck battery optional (with data connection options reduced autonomy).
- Sleep function with automatic start up for the fork transmitters, auto shut-off function for the indicator.
- The operator can customize the power setting of the indicator in the 'user' menu.

DIMENSIONS IN MM



		2500 kg*	3000 kg*	5000 kg*
		FEM2	FEM3	FEM3
A	Fork length	1150	1150	1150
B	Fork width	135	155	175
C	Fork height	58	58	76
D	Thickness of the fork tip	15	15	15
E	Height above carriage plate	68	68	70
F	Height carriage plate	407	508	508
G	Distance between claws	418	518	518
H	Fork drop FEM A/B	76/152	76/203	76/203
I	Distance backside till fork tip	1230	1230	1245
J	Palletstop	80	80	95
K	Thickness base fork	45	45	60
L	Width of fork base	100	120	140
M	Width of pallet stop	143	163	183
N	Height of pallet stop	142	142	142
	Own weight per fork (kg)	65	79	119

Tolerance +/- 2 mm

* Maximum capacity specified at load center point 500 mm



• ISO 9001
• ISO 14001

OPTIONS*

- Legal for trade version, OIML III
- Different fork lengths (from length > 1700 mm height +5 mm)
- Capacity reduction with longer fork lengths
- Power regulator 12V-12V for IC-trucks
- Power converter for electro trucks max. 100V-12V
- Thermal or matrix printer
- RDC, RAVAS Data Collector Software
- RIS, RAVAS Integration Server Software
- Bluetooth- or WiFi- data transfer
- Additional set of Li-ion battery packs
- Wide claws for use in combination with rotator or fork positioners
- Long-drop forks for special type of trucks

RAVAS Europe B.V.

P.O. Box 2023, NL-5300 CA Zaltbommel, The Netherlands
T. +31 (0)418 51 52 20, F. +31 (0)418 51 53 20
backoffice@ravas.com, www.ravas.com

* The use of options may change related specifications. rev.20181218 Changes reserved

RAVAS