

# RAVAS-3200-F Li

Pallet truck scale with extended scale functions

## BENEFITS

- Angled fork tips for easy access to low and closed pallets
- High capacity Li-ion battery pack for 75 hours of autonomy
- Automatic dosing function (option)
- Three communication protocols
- Internal clock for date/time
- For warehousing, dosing and mixing
- Bluetooth 4.0 for RAVAS WeightsApp
- Bluetooth or WiFi Data output for connectivity (option)
- Connectivity software available



Top quality  
Advanced functions



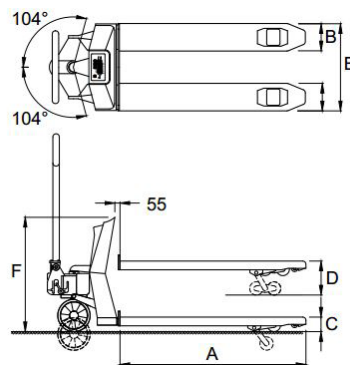
## FUNCTIONS

- Automatic and manual zero correction
- Gross/net weighing
- Automatic and manual tare
- Totalling with sequence number
- Code entry (5-digit)
- RS232 port for connection with printer
- Extra port for Bluetooth or WiFi option board
- Bluetooth 4.0 for RAVAS WeightsApp
- Internal clock
- Error messages in display
- Automatic switch-of after 30 minutes of non-use
- kg/lb toggle

## STANDARD SPECIFICATIONS

- Weighing capacity 2.000 kg
- Graduation multirange:
  - 0 - 200 kg: graduation 0,2 kg
  - 200 - 500 kg: graduation 0,5 kg
  - 500 - 2.000 kg: graduation 1 kg
- Max. tolerance 0,1% of the load lifted
- Display LCD dual color, digit height 22 mm, backlight
- Keypad 5 function keys, on/of key
- Protection class load cells IP67, indicator IP65
- Battery 14,8Vdc/5Ah, exchangeable; Li-ion battery pack charger included
- Battery life 75 hours, low battery indication in display
- Charger 230V/14,8Vdc - 1 A
- Charging time approximately 6 hours
- Steering wheels rubber
- Loading wheels polyurethane, tandem
- Colour red (RAL 3000), epoxy painted
- Own weight 120 kg
- Pump quick lift

## DIMENSIONS IN MM



Standard

A	Fork length	1150
B	Fork width	170
C	Minimum fork height	90
	Space underneath fork	22
D	Maximum fork height	210
	Lifting height	120
E	Width over forks	540
F	Height to top indicator	800
	Tolerance +/- 3 mm	



• ISO 9001  
• ISO 14001

## OPTIONS\*

- Legal for trade version, OIML III
- Extra exchangeable Li-ion battery pack
- Built-in thermal printer
- Bluetooth or WiFi output
- Relay setpoint switch for automatic dosing
- Multirange graduation 0,1/0,2/0,5 kg
- Stainless steel fork shoes
- Stainless steel or galvanized truck
- Pivoting indicator: readout from all angles during dosing
- Footbrake or handbrake
- Different fork dimensions (fork height 90 mm)
- Different steering or loading wheels
- RDC, RAVAS Data Collector Software
- RIS, RAVAS Integration Software

## RAVAS Europe B.V.

P.O. Box 2023, NL-5300 CA Zaltbommel, The Netherlands  
T. +31 (0)418 51 52 20, F. +31 (0)418 51 53 20  
backoffice@ravas.com, www.ravas.com

\* The use of options may change related specifications, changes reserved, rev.20181218

# RAVAS