

# ProLine 2100 EXi

Explosion proof pallet truck scale



## BENEFITS

- Superb accuracy
- System certification ATEX II 2 G Ex ib IIB T4 Gb & ATEX II 2 D Ex ib IIC T135°C Db
- Rotating indicator and big push buttons
- Exchangeable battery pack
- Stainless steel forks
- Antistatic steering wheels
- For mixing and batching in zone 1/21

Top quality

For hazardous areas



**RAVAS** PERFORMANCE LINE

**RAVAS**

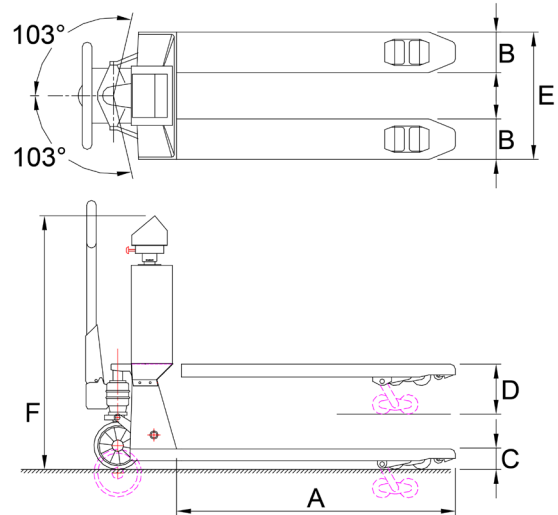
## FUNCTIONS

- Automatic and manual zero correction
- Gross/net weighing
- Automatic tare over the full scale. Pre-set tare maximum first range (200 kg)
- Error messages in display
- Automatic switch-off after 30 minutes of non-use
- Low battery warning in display

## STANDARD SPECIFICATIONS

- Weighing capacity 2,000 kg
- Graduation multirange:  
0 - 200 kg: graduation 0.1 kg  
200 - 400 kg: graduation 0.2 kg  
400 - 2,000 kg: graduation 0,5 kg
- Max. tolerance 0.08 % of the load lifted
- System certification II 2 G Ex ib IIB T4 Gb & II 2 D Ex ib IIC T135°C Db, approval number DEKRA 13ATEX 0044
- Display Pivoting, LCD, digit height 18 mm
- Keypad foil keypad and push buttons, 3 function keys, on/off key, resistant to chemicals
- Protection class load cells IP67, indicator IP65
- Fork shoes stainless steel
- Battery intrinsically safe, approval number DEKRA 13ATEX 0043, 8Vdc/3.5 Ah, rechargeable, exchangeable, maintenance free
- Battery life 100 hours, low battery indication 5 hours before automatic switch-off
- Charger 230V/8Vdc - 1 A; for use outside hazardous zone
- Charging time approximately 8 hours
- Steering wheels rubber, antistatic < 10<sup>9</sup>ohm
- Loading wheels polyurethane, tandem
- Colour red (RAL 3000), epoxy painted
- Own weight 130 kg
- Pump ergonomic lift

## DIMENSIONS IN MM



	Standard chassis	Stainless Chassis	Stöcklin Stainless steel
A Fork length	1150	1150	1150
B Fork width	160	160	170
C Minimum fork height	90	90	90
Minimum clearance	22	22	22
D Maximum fork height	200	200	205
Lifting height	110	110	115
E Width over forks	550	550	540
F Height to top indicator	1185	1185	1125

For approved versions, class OIML III : European approval no. T2782, switch-of of display when tilting more than 2°. Graduation: multirange 0.2/0.5/1 kg, or one of the following fixed graduations:

- 1,000 divisions: 1.0/1,000 kg or 2.0/2,000 kg
- 2,000 divisions: 0.5/1,000 kg or 1.0/2,000 kg



Management System  
ISO 9001:2015  
ISO 14001:2015  
ISO 45001:2018  
www.tuv.com  
ID 0000037200

## OPTIONS\*

- Extra exchangeable battery pack
- Bluetooth output in EXd enclosure for data transfer to PDA
- Legal for trade version, OIML III
- Full stainless steel truck

### RAVAS Europe B.V.

Toepadweg 7, 5301 KA Zaltbommel, The Netherlands

T: +31 418 515220 E: salesoffice@ravas.com

WWW.RAVAS.COM

