

ProLine 3200 Li

Custom designed for professional use

BENEFITS

- Superb accuracy
- Rotating indicator
- High capacity Li-ion battery pack for 75 hours of autonomy
- Automatic dosing function (option)
- Three communication protocols
- Internal clock for date/time
- For warehousing, dosing and mixing
- Bluetooth 4.0 for RAVAS WeightsApp
- Bluetooth or WiFi Data output for connectivity (option)
- Connectivity software available



The hi-tech standard
Extremely accurate



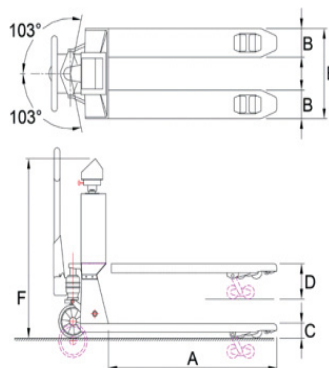
FUNCTIONS

- Automatic and manual zero correction
- Gross/net weighing
- Automatic and manual tare
- Totalling with sequence number
- Code entry (5-digit)
- RS232 port for connection with printer
- Extra port for Bluetooth or WiFi option board
- Bluetooth 4.0 for RAVAS WeightsApp
- Internal clock
- Error messages in display
- Automatic switch-of after 30 minutes of non-use
- kg/lb toggle

STANDARD SPECIFICATIONS

- Weighing capacity 2.000 kg
- Graduation multirange:
0 - 200 kg: graduation 0,1 kg
200 - 400 kg: graduation 0,2 kg
400 - 2.000 kg: graduation 0,5 kg
- Max. tolerance 0,08% of the load lifted
- Display LCD, dual color, digit height 20 mm, backlight
- Keypad 5 function keys, on/off key
- Protection class load cells IP67, indicator IP65
- Battery 14,8Vdc/5Ah, exchangeable; Li-ion battery pack charger included
- Battery 75 hours, low battery indication in display
- Charger 230V/14,8Vdc - 1 A
- Charging time approximately 6 hours
- Steering wheels rubber
- Loading wheels polyurethane, tandem
- Pump ergonomic lift
- Own weight 180 kg
- Colour Chassis red (RAL3000)
Fork shoe black (RAL9005)
Epoxy painted

DIMENSIONS IN MM



	Standard chassis	Stainless chassis
A Fork length	1150	1150
B Fork width	160	160
C Minimum fork height	90	90
Minimum clearance	22	22
D Maximum fork height	205	205
E Width over forks	550	550
F Height to top indicator	1185	1185
Loading wheels		
- type: PU tandem	yes	no
- type: PU single	no	no
- type: Nylon tandem	no	yes
Steering wheels		
- type: rubber	yes	no
- type: Nylon	no	yes



Management System
ISO 9001:2015
ISO 14001:2015
ISO 45001:2018
www.tuv.com
ID 0000037200

OPTIONS*

- Legal for trade version, OIML III
- Extra exchangeable Li-ion battery pack
- Built-in thermal printer
- Bluetooth 2.0 or WiFi output
- Relay setpoint switch for automatic dosing
- Stainless steel fork shoes
- Stainless steel truck
- Footbrake
- Different fork dimensions
- Different steering or loading wheels
- RDC, RAVAS Data Collector Software
- RIS, RAVAS Integration Software

RAVAS Europe B.V.

Toepadweg 7, 5301 KA Zaltbommel, The Netherlands

T: +31 418 515220 E: salesoffice@ravas.com

WWW.RAVAS.COM

