

RAVAS Ergo-scissor-lift

Manual & Electric Scissor lift with scale function



BENEFITS

- Weighing at ergonomic height
- Standard scale functionality
- Lowest fork height only 92 mm
- High accuracy
- Scale preparation in factory (no retrofit)

Top quality

Made in Europe

RAVAS

STANDARD SCALE SPECIFICATIONS

- Capacity 1.000 kg
- Graduation multi-range 0.5 kg till 500 kg / 1 kg at 500 till max 1,000 kg
- System tolerance 0,1 % of applied load
- Display LCD dual color, digit height 20 mm, backlight
- Power consumption 12V - 34mA
- Power supply:
 - electric via truck battery
 - manual via (exchangeable) Li-ion battery pack
- Keys 5 function keys, on/off key
- Protection class IP65
- Dimensions excl. bracket L x B x H = 60 x 77 x 182 mm
- Indicator mounting rotating and tiltable

STANDARD TRUCK SPECIFICATIONS (electric version)

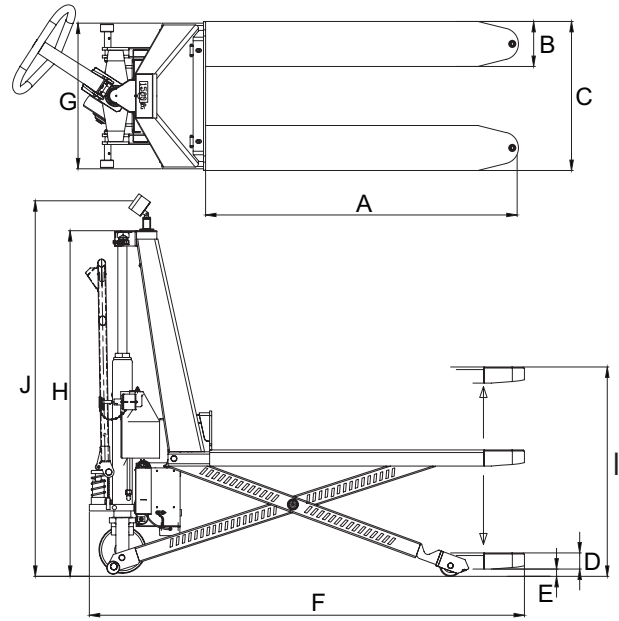
- Battery 12V / 50Ah including charger 5A
- Autonomy battery 5 hours continuous lifting
- Lifting motor 12V / 0,8kW
- Lifting speed unloaded 0,08 m/sec
- Lifting speed loaded 0,05 m/sec

STANDARD TRUCK SPECIFICATIONS (manual lift)

- Power supply indicator via rechargeable 14,8V/5Ah Li-ion battery pack
- Pumping to maximum lifting height in 30 strokes



DIMENSIONS IN MM



	electric lift	manual lift
A Fork length	1200	1200
B Fork width	180	180
C Width over forks	580	580
D Lowered fork height	92	92
E Ground clearance	15	15
F Total truck length	1660	1660
G Truck width	580	580
H Truck height	955	955
I Lifting height	800	800
J Height center display	1250	1480
Own weight (kg)	195	165

Tolerance +/- 2 mm

*Maximum capacity specified at load center point 600 mm



Management System
 ISO 9001:2015
 ISO 14001:2015
 ISO 45001:2018
 www.tuv.com
 ID 000037200

OPTIONS*

- Available with indicator types 3200 and 5200
- Legal for trade version OIML III
- Thermal or matrix printer 12V
- Bluetooth 2.0 or WiFi data transfer
- Reference scale (for more accurate piece counting)
- RDC, RAVAS Data Collector Software
- RIS, RAVAS Integration Software

RAVAS Europe B.V.

Veilingweg 17, 5301 KM Zaltbommel, The Netherlands

T: +31 418 515220 E: salesoffice@ravas.com

WWW.RAVAS.COM

