

RAVAS-520

Hand Pallet Jack

MOBILE
WEIGHING
SCALE

If your material handling process includes piece counting or repeatable steps, the RAVAS-520 advanced scale functions will save you valuable time. With an intuitive touch screen display, multiple weighing functions, Bluetooth connectivity, and Lithium-ion powered battery, the RAVAS-520 will enhance your warehouse operation.

Advanced Functionality

- Standard NTEP approved
- 5" touch screen with easy to read digits
- Power supply by a rechargeable and removable Li-ion battery
- Programmable routines
- Standard with piece counting function
- Integrated data connectivity

Effortlessly lift and drive with handle controls

Intuitive touch screen display with 0.98 inch high digits. Only the active keys are visible



Level compensation to 3 degrees

RAVAS-520

FUNCTIONS

- Automatic and manual zero correction
- Gross/net weighing
- Tare memory for 10 values
- Internal clock for date and time
- On board: RS232 port connection for printer
USB output for data transfer (with USB Stick)
Free COM 1 for Wifi or RS232
- The USB output can also be used to connect a bar-code scanner (end of 2019)
- Bluetooth 4.0 for RAVAS WeightsApp

STANDARD SPECIFICATIONS

WEIGHT CAPACITY

- 5,000 lb

GRADUATION

- 0 - 3,000 lb: graduation 1 lb, or 5,000lb: graduation 2 lb

MAXIMUM TOLERANCE

- 0.1 % of applied load

DISPLAY

- Full-colour 5" touch display with 1" high digits

POWER CONSUMPTION

- 14.8V - 160 mA

POWER SUPPLY

- Li-ion battery pack 14.8V/5Ah incl. charger

AUTONOMY

- 25 hours continuous use (50 hours with sleep modes)

KEYBOARD

- Display mode defines the available keys, on/off key

PROTECTION CLASS

- Loadcells NEMA 5, indicator NEMA 4

INDICATOR MOUNTING

- Rotating and tiltable

STEERING WHEELS

- Rubber

LOADING WHEELS

- Polyurethane, single

COLOR

- Red (RAL3000) epoxy painted

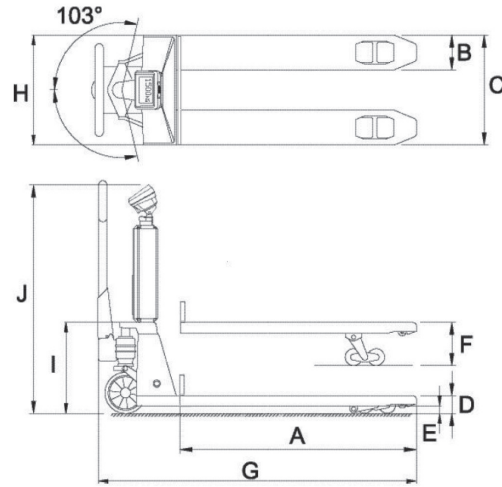
PUMP

- Quick lift

OWN WEIGHT

- 255 lb

DIMENSIONS



A	Fork length	48"
B	Fork width	7.1"
C	Width over forks	27.2"
D	Minimum fork height	3.0"
E	Minimum clearance	0.7"
F	Maximum fork height	7.9"
	Lifting height	4.8"
G	Overall length	64.8"
H	Width over forks	27.2"
I	Minimal chassis height	17"

Tolerance +/- 0.1"

OPTIONS*

- NTEP version (2nd half of 2020)
- Thermal or matrix printer 12V
- Bluetooth- or WiFi- data transfer
- Reference scale via RS232
(for more accurate piece counting)
- Parking brake
- 1D USB bar-code scanner, not in combination
with legal for trade
- Additional Li-ion battery pack
- Stainless steel chassis
- RDC, RAVAS Data Collector Software
- RIS, RAVAS Integration Software

*The use of options may change related specifications.